

PLEASE CHECK WWW.MOLEX.COM FOR LATEST PART INFORMATION

Part Number: [0705450023](#)
Status: **Active**
Overview: [cgrid_sl_products](#)
Description: 2.54mm (.100") Pitch SL™ Header, Single Row .120" Pocket Vertical, Shrouded, with Press-fit Plastic Peg, 24 Circuits, Tin (Sn) Plating

Documents:

| | |
|---|--|
| 3D Model | Product Specification PS-70400 (PDF) |
| Packaging Specification (PDF) | Product Specification PS-70541 (PDF) |
| Drawing (PDF) | RoHS Certificate of Compliance (PDF) |

Agency Certification

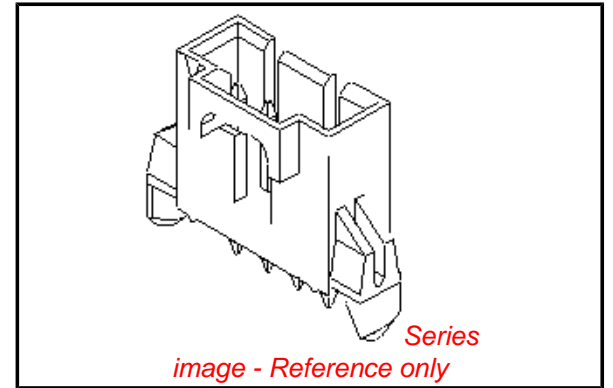
| | |
|-----|---------|
| CSA | LR19980 |
| UL | E29179 |

General

| | |
|----------------|-----------------------------------|
| Product Family | PCB Headers |
| Series | 70545 |
| Application | Wire-to-Board |
| Overview | cgrid_sl_products |
| Product Name | SL™ |

Physical

| | |
|--------------------------------|--------------------------------|
| Breakaway | No |
| Circuits (Loaded) | 24 |
| Circuits (maximum) | 24 |
| Color - Resin | Black |
| Durability (mating cycles max) | 25 |
| Flammability | 94V-0 |
| Glow-Wire Compliant | No |
| Lock to Mating Part | Yes |
| Material - Metal | Brass, Phosphor Bronze |
| Material - Plating Mating | Tin |
| Material - Plating Termination | Tin |
| Material - Resin | High Temperature Thermoplastic |
| Number of Rows | 1 |
| Orientation | Vertical |
| PC Tail Length (in) | 0.130 In |
| PC Tail Length (mm) | 3.30 mm |
| PCB Locator | Yes |
| PCB Retention | Yes |
| PCB Thickness Recommended (in) | 0.062 In |
| PCB Thickness Recommended (mm) | 1.60 mm |
| Packaging Type | Tube |
| Pitch - Mating Interface (in) | 0.100 In |
| Pitch - Mating Interface (mm) | 2.54 mm |
| Plating min: Mating (µin) | 150 |
| Plating min: Mating (µm) | 3.75 |
| Plating min: Termination (µin) | 150 |
| Plating min: Termination (µm) | 3.75 |
| Polarized to Mating Part | Yes |
| Shrouded | Fully |
| Stackable | No |
| Surface Mount Compatible (SMC) | Yes |
| Temperature Range - Operating | -40°C to +105°C |
| Termination Interface: Style | Through Hole |



EU RoHS

ELV and RoHS Compliant
REACH SVHC
 Not Reviewed
Halogen-Free Status
Not Reviewed

China RoHS



Need more information on product environmental compliance?

Email productcompliance@molex.com
 For a multiple part number RoHS Certificate of Compliance, [click here](#)

Please visit the [Contact Us](#) section for any non-product compliance questions.

Search Parts in this Series

[70545Series](#)

Mates With

[70066n](#) , [70066g](#) , [70430g](#) , [70400g Housing](#)

Electrical

Current - Maximum per Contact

3A

Voltage - Maximum

250V

Solder Process Data

Lead-free Process Capability

Wave Capable (TH only)

Material Info**Reference - Drawing Numbers**

Packaging Specification

PK-70873-0014

Product Specification

PS-70400, PS-70541

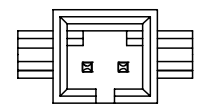
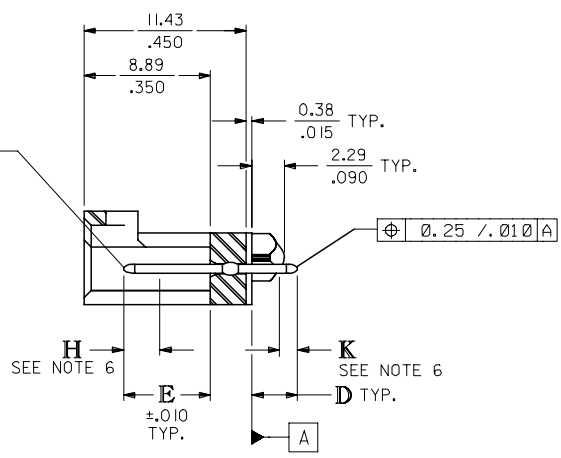
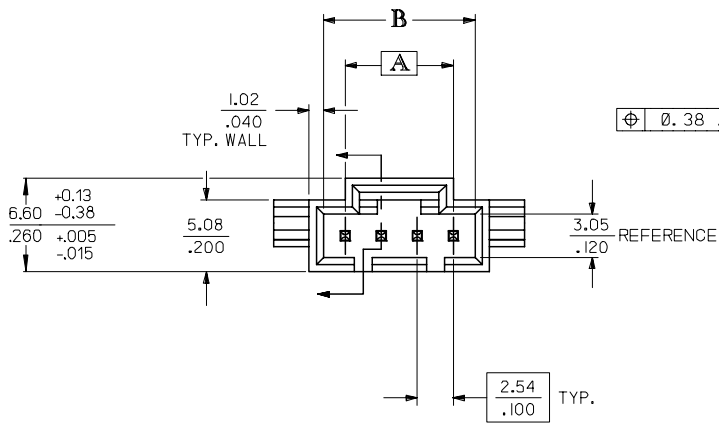
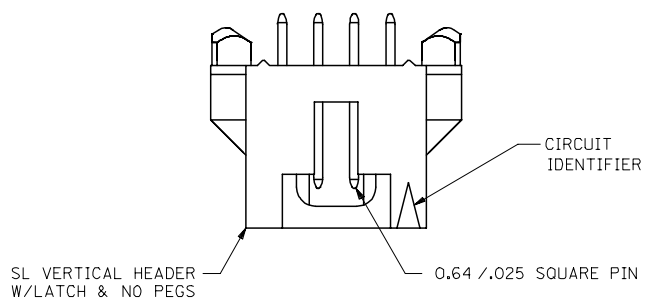
Sales Drawing

SDA-70545-****

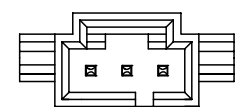
This document was generated on 05/25/2010

PLEASE CHECK WWW.MOLEX.COM FOR LATEST PART INFORMATION

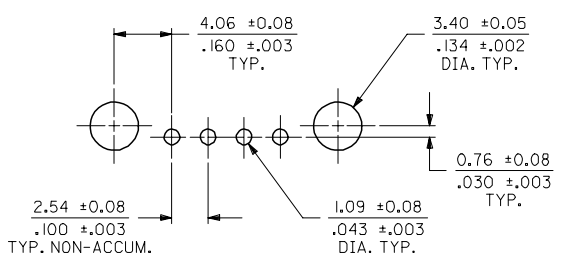
| CKT. SIZE | DIM. "A" | | DIM. "B" | |
|-----------|----------|-------|------------|------------|
| | MM | IN. | MM | IN. |
| 2 | 2.54 | .100 | 5.33±0.08 | .210±.003 |
| 3 | 5.08 | .200 | 8.13±0.10 | .320±.004 |
| 4 | 7.62 | .300 | 10.67±0.10 | .420±.004 |
| 5 | 10.16 | .400 | 13.21±0.10 | .520±.004 |
| 6 | 12.70 | .500 | 15.75±0.10 | .620±.004 |
| 7 | 15.24 | .600 | 18.29±0.10 | .720±.004 |
| 8 | 17.78 | .700 | 20.83±0.10 | .820±.004 |
| 9 | 20.32 | .800 | 23.37±0.10 | .920±.004 |
| 10 | 22.86 | .900 | 25.91±0.13 | 1.020±.005 |
| 11 | 25.40 | 1.000 | 28.45±0.13 | 1.120±.005 |
| 12 | 27.94 | 1.100 | 30.99±0.13 | 1.220±.005 |
| 13 | 30.48 | 1.200 | 33.53±0.13 | 1.320±.005 |
| 14 | 33.02 | 1.300 | 36.07±0.13 | 1.420±.005 |
| 15 | 35.56 | 1.400 | 38.61±0.15 | 1.520±.006 |
| 16 | 38.10 | 1.500 | 41.15±0.15 | 1.620±.006 |
| 17 | 40.64 | 1.600 | 43.69±0.15 | 1.720±.006 |
| 18 | 43.18 | 1.700 | 46.23±0.15 | 1.820±.006 |
| 19 | 45.72 | 1.800 | 48.77±0.18 | 1.920±.007 |
| 20 | 48.26 | 1.900 | 51.31±0.18 | 2.020±.007 |
| 21 | 50.80 | 2.000 | 53.85±0.18 | 2.120±.007 |
| 22 | 53.34 | 2.100 | 56.39±0.18 | 2.220±.007 |
| 23 | 55.88 | 2.200 | 58.93±0.18 | 2.320±.007 |
| 24 | 58.42 | 2.300 | 61.47±0.18 | 2.420±.007 |
| 25 | 60.96 | 2.400 | 64.01±0.20 | 2.520±.008 |



2 CIRCUIT



3 CIRCUIT



RECOMMENDED PC BOARD LAYOUT

(FOR USE WITH 1.57 / .062 THICK BOARD)

- NOTES:
- HEADER MATERIAL: GLASS FILLED POLYESTER, UL94V-0; COLOR: BLACK
PIN MATERIAL: PHOSPHOR BRONZE
 - FINISH:
TIN - 0.00381/0.000150 MIN TIN PLATE
OVER 0.00127/0.000050 MIN NICKEL PLATE
15 GOLD - 0.00038/0.000015 MIN GOLD PLATE IN SELECT AREA,
0.00191/0.000075 MIN TIN PLATE IN SELECT AREA,
OVER 0.00127/0.000050 MIN NICKEL PLATE OVERALL.
30 GOLD - 0.00076/0.000030 MIN GOLD PLATE IN SELECT AREA,
0.00191/0.000075 MIN TIN PLATE IN SELECT AREA,
OVER 0.00127/0.000050 MIN NICKEL PLATE OVERALL.
* THE PRIMARY SHIPPING CARTON WILL BE LABELED "COMPLIANT TO RoHS DIRECTIVE 2002/95/EC AND ELV ANNEX II OF DIRECTIVE 2000/53/EC," CARTONS WITHOUT THIS LABEL MAY CONTAIN PRODUCT WITH LEAD.
 - PRODUCT SPECIFICATION: PS-70541
 - PACKAGING SPECIFICATION: PK-70873-0014
 - HEADER TO BE USED WITH OPTION "G" 70400 AND 70430 SERIES SL CONNECTORS.
 - MEASURE POINT FOR PLATING THICKNESS.

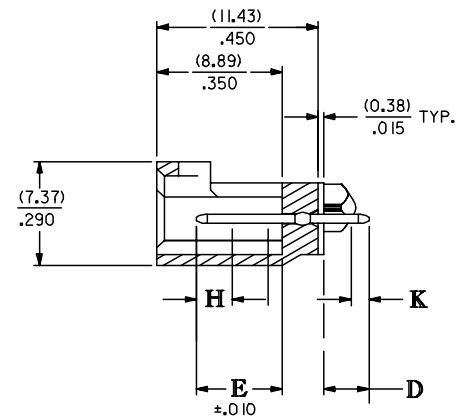
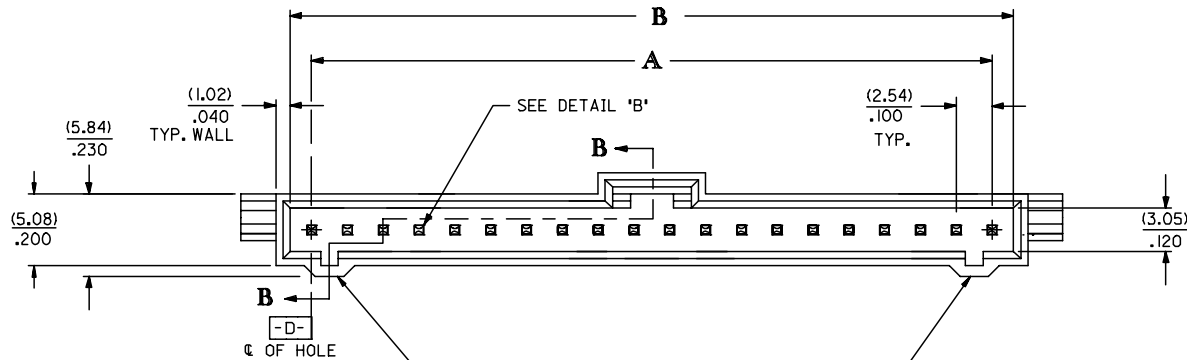
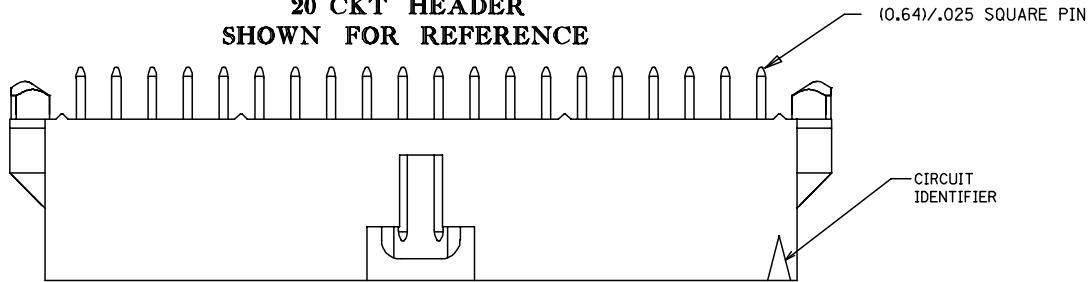
| | | | | | | | | |
|---|-------------------------------|---------------------------------------|--------|--|------------------|---|----------------------|------------------------|
| CLARIFY DIM. FC NO: UCP2007-12/16 DRAWN: SIBARRA 2006/11/28 CHKD: BMORGAN 2006/12/04 APPR: SMILLER 2006/12/05 | QUALITY SYMBOLS ▽=0 ▽=0 | GENERAL TOLERANCES (UNLESS SPECIFIED) | | DIMENSION STYLE MM/IN | | SCALE 4:1 | DESIGN UNITS INCH | THIRD ANGLE PROJECTION |
| | | mm | INCH | DRAWN BY AAB | DATE 05/12/93 | TITLE SALES ASSY, SL VERTICAL HEADER W/LATCH&TRI-PEGS (2.54)/.100 CENTERS | | |
| | | 4 PLACES ± --- ± --- | ± .005 | CHECKED BY MJM | DATE 05/12/93 | MOLEX INCORPORATED | | |
| | | 3 PLACES ± --- ± --- | ± .01 | APPROVED BY WAZ | DATE 05/12/93 | DOCUMENT NO. SDA-70545-**** | | SHEET NO. 1 OF 4 |
| | | 2 PLACES ± 0.13 ± 0.1 | ± .01 | MATERIAL NO. | | SIZE C | | |
| | | 1 PLACE ± 0.25 ± --- | ± --- | DRAFT WHERE APPLICABLE MUST REMAIN WITHIN DIMENSIONS | | THIS DRAWING CONTAINS INFORMATION THAT IS PROPRIETARY TO MOLEX INCORPORATED AND SHOULD NOT BE USED WITHOUT WRITTEN PERMISSION | | |
| | | ANGULAR ±1/2° | | | | | | |

| | |
|---------|----|
| 4 | G1 |
| 3 | H |
| 2 | F1 |
| 1 | J |
| SHT/REV | |

OPTIONAL HOUSING

WEBBED KEYING FEATURES

20 CKT HEADER
SHOWN FOR REFERENCE



WEBBED KEYING FEATURES

SECTION B-B

| UPDATE TITLE BLOCK EC NO: UCP2006-0202 DRAWN: JLOWE 2005/08/05 CHKD: ADERR 2005/08/05 APPR: FSMITH 2005/08/09 REVISION DESCRIPTION | QUALITY SYMBOLS | GENERAL TOLERANCES (UNLESS SPECIFIED) <table border="1"> <thead> <tr> <th></th> <th>mm</th> <th>INCH</th> </tr> </thead> <tbody> <tr> <td>4 PLACES</td> <td>± .005</td> <td>± .0005</td> </tr> <tr> <td>3 PLACES</td> <td>± .010</td> <td>± .0010</td> </tr> <tr> <td>2 PLACES</td> <td>± 0.13</td> <td>± .01</td> </tr> <tr> <td>1 PLACE</td> <td>± 0.25</td> <td>± .01</td> </tr> <tr> <td colspan="3">ANGULAR ±1/2°</td> </tr> </tbody> </table> | | mm | INCH | 4 PLACES | ± .005 | ± .0005 | 3 PLACES | ± .010 | ± .0010 | 2 PLACES | ± 0.13 | ± .01 | 1 PLACE | ± 0.25 | ± .01 | ANGULAR ±1/2° | | | DIMENSION STYLE MM/IN | SCALE --- | DESIGN UNITS INCH | THIRD ANGLE PROJECTION |
|---|------------------|--|--------------------------------|---------------------|------|----------|--------|---------|----------|--------|---------|----------|--------|-------|---------|--------|-------|---------------|--|--|--------------------------|--------------|----------------------|------------------------|
| | | | mm | INCH | | | | | | | | | | | | | | | | | | | | |
| | 4 PLACES | | ± .005 | ± .0005 | | | | | | | | | | | | | | | | | | | | |
| | 3 PLACES | | ± .010 | ± .0010 | | | | | | | | | | | | | | | | | | | | |
| 2 PLACES | ± 0.13 | ± .01 | | | | | | | | | | | | | | | | | | | | | | |
| 1 PLACE | ± 0.25 | ± .01 | | | | | | | | | | | | | | | | | | | | | | |
| ANGULAR ±1/2° | | | | | | | | | | | | | | | | | | | | | | | | |
| DRAWN BY WGM | DATE 07/10/96 | TITLE SALES ASSY, SL VERTICAL HEADER W/LATCH&TRI-PEGS (2.54)/.100 CENTERS | | | | | | | | | | | | | | | | | | | | | | |
| CHECKED BY WGM | DATE 07/10/96 | MOLEX INCORPORATED | | | | | | | | | | | | | | | | | | | | | | |
| APPROVED BY WAZ | DATE 07/10/96 | MATERIAL NO. SEE CHART | DOCUMENT NO. SDA-70545-**** | SHEET NO. 2 OF 4 | | | | | | | | | | | | | | | | | | | | |

DRAFT WHERE APPLICABLE
MUST REMAIN
WITHIN DIMENSIONS

THIS DRAWING CONTAINS INFORMATION THAT IS PROPRIETARY TO MOLEX INCORPORATED AND SHOULD NOT BE USED WITHOUT WRITTEN PERMISSION

| J | CIRCUIT SIZE | ASSEMBLY ITEM NUMBER 70545 | MANUFACTURE RELEASE STATUS | | | | D (± 0.38) ± .015 | E (± 0.25) ± .010 | CONNECTOR END PLATING | | | P.C. BOARD END PLATING | | | J |
|---|--------------|-------------------------------|----------------------------|--|--|--|-------------------------|-------------------------|-----------------------|------------|------|------------------------|------------|------|---|
| | | | | | | | | | TYPE | H MEAS. | | TYPE | K MEAS. | | |
| | | | | | | | | | | | | | | | |
| I | 2-10 | -0001-0009 | R.F.M. | | | | (3.30) | (6.10) | TIN | (2.54) | .100 | TIN | (1.27) | .050 | I |
| | 11-25 | -0010-0024 | R.F.M. | | | | .130 | .240 | | | | | | | |
| I | 2-10 | -0036-0044 | R.F.M. | | | | (3.30) | (6.10) | 15 GOLD | (2.54) | .100 | TIN | (1.27) | .050 | I |
| | 11-25 | -0045-0059 | R.F.M. | | | | .130 | .240 | | | | | | | |
| H | 2-10 | -0071-0079 | R.F.M. | | | | (3.30) | (6.10) | 30 GOLD | (2.54) | .100 | TIN | (1.27) | .050 | H |
| | 11-25 | -0080-0094 | R.F.M. | | | | .130 | .240 | | | | | | | |
| H | 2-10 | -0141-0149 | R.F.M. | | | | (5.21) | (6.10) | 15 GOLD | (2.54) | .100 | TIN | (1.27) | .050 | H |
| | 11-25 | -0150-0164 | NOT TOOLED | | | | .205 | .240 | | | | | | | |
| G | 2-10 | -0176-0184 | R.F.M. | | | | (5.21) | (6.10) | 30 GOLD | (2.54) | .100 | TIN | (1.27) | .050 | G |
| | 11-25 | -0185-0199 | NOT TOOLED | | | | .205 | .240 | | | | | | | |

| F | CIRCUIT SIZE | ASSEMBLY ITEM NUMBER | ASSEMBLY ITEM NUMBER | ASSEMBLY ITEM NUMBER | ASSEMBLY ITEM NUMBER | ASSEMBLY ITEM NUMBER |
|---|--------------|----------------------|----------------------|----------------------|----------------------|----------------------|
| | 2 | 70545-0001 | 70545-0036 | 70545-0071 | 70545-0141 | 70545-0176 |
| | 3 | 70545-0002 | 70545-0037 | 70545-0072 | 70545-0142 | 70545-0177 |
| | 4 | 70545-0003 | 70545-0038 | 70545-0073 | 70545-0143 | 70545-0178 |
| | 5 | 70545-0004 | 70545-0039 | 70545-0074 | 70545-0144 | 70545-0179 |
| | 6 | 70545-0005 | 70545-0040 | 70545-0075 | 70545-0145 | 70545-0180 |
| | 7 | 70545-0006 | 70545-0041 | 70545-0076 | 70545-0146 | 70545-0181 |
| | 8 | 70545-0007 | 70545-0042 | 70545-0077 | 70545-0147 | 70545-0182 |
| E | 9 | 70545-0008 | 70545-0043 | 70545-0078 | 70545-0148 | 70545-0183 |
| | 10 | 70545-0009 | 70545-0044 | 70545-0079 | 70545-0149 | 70545-0184 |
| | 11 | 70545-0010 | 70545-0045 | 70545-0080 | | |
| | 12 | 70545-0011 | 70545-0046 | 70545-0081 | | |
| | 13 | 70545-0012 | 70545-0047 | 70545-0082 | | |
| | 14 | 70545-0013 | 70545-0048 | 70545-0083 | | |
| D | 15 | 70545-0014 | 70545-0049 | 70545-0084 | | |
| | 16 | 70545-0015 | 70545-0050 | 70545-0085 | | |
| | 17 | 70545-0016 | 70545-0051 | 70545-0086 | | |
| | 18 | 70545-0017 | 70545-0052 | 70545-0087 | | |
| | 19 | 70545-0018 | 70545-0053 | 70545-0088 | | |
| | 20 | 70545-0019 | 70545-0054 | 70545-0089 | | |
| C | 21 | 70545-0020 | 70545-0055 | 70545-0090 | | |
| | 22 | 70545-0021 | 70545-0056 | 70545-0091 | | |
| | 23 | 70545-0022 | 70545-0057 | 70545-0092 | | |
| | 24 | 70545-0023 | 70545-0058 | 70545-0093 | | |
| | 25 | 70545-0024 | 70545-0059 | 70545-0094 | | |

| B | A | CHG D DIM -0141-0199 EC NO: UCP2007-0420 DRAWN: JORGAN 2006/09/15 CHKD: MS BARA 2006/09/15 APPR: SMILLER 2006/09/19 REV: | QUALITY SYMBOLS DESCRIPTION | GENERAL TOLERANCES (UNLESS SPECIFIED) <table border="1"> <tr><th></th><th>mm</th><th>INCH</th></tr> <tr><td>4 PLACES</td><td>± .005</td><td>± .0005</td></tr> <tr><td>3 PLACES</td><td>± .010</td><td>± .0010</td></tr> <tr><td>2 PLACES</td><td>± 0.13</td><td>± .01</td></tr> <tr><td>1 PLACE</td><td>± 0.25</td><td>± .01</td></tr> <tr><td colspan="3">ANGULAR ±1/2°</td></tr> </table> | | mm | INCH | 4 PLACES | ± .005 | ± .0005 | 3 PLACES | ± .010 | ± .0010 | 2 PLACES | ± 0.13 | ± .01 | 1 PLACE | ± 0.25 | ± .01 | ANGULAR ±1/2° | | | DIMENSION STYLE MM/IN DRAWN BY DATE WGM 07/12/96 CHECKED BY DATE WGM 07/12/96 APPROVED BY DATE DJB 07/12/96 | SCALE --- DESIGN UNITS INCH THIRD ANGLE PROJECTION | TITLE SALES ASSY, SL VERTICAL HEADER W/LATCH&TRI-PEGS (2.54)/.100 CENTERS MOLEX INCORPORATED | MATERIAL NO. SEE CHART DOCUMENT NO. SDA-70545-**** SHEET NO. 3 OF 4 | A |
|--|--------|---|--|--|----|------|------|----------|--------|---------|----------|--------|---------|----------|--------|-------|---------|--------|-------|---------------|--|--|--|--|--|--|---|
| | | | | | mm | INCH | | | | | | | | | | | | | | | | | | | | | |
| 4 PLACES | ± .005 | ± .0005 | | | | | | | | | | | | | | | | | | | | | | | | | |
| 3 PLACES | ± .010 | ± .0010 | | | | | | | | | | | | | | | | | | | | | | | | | |
| 2 PLACES | ± 0.13 | ± .01 | | | | | | | | | | | | | | | | | | | | | | | | | |
| 1 PLACE | ± 0.25 | ± .01 | | | | | | | | | | | | | | | | | | | | | | | | | |
| ANGULAR ±1/2° | | | | | | | | | | | | | | | | | | | | | | | | | | | |
| DRAFT WHERE APPLICABLE MUST REMAIN WITHIN DIMENSIONS | | | | THIS DRAWING CONTAINS INFORMATION THAT IS PROPRIETARY TO MOLEX INCORPORATED AND SHOULD NOT BE USED WITHOUT WRITTEN PERMISSION | | | | | | | | | | | | | | | | | | | | | | | |